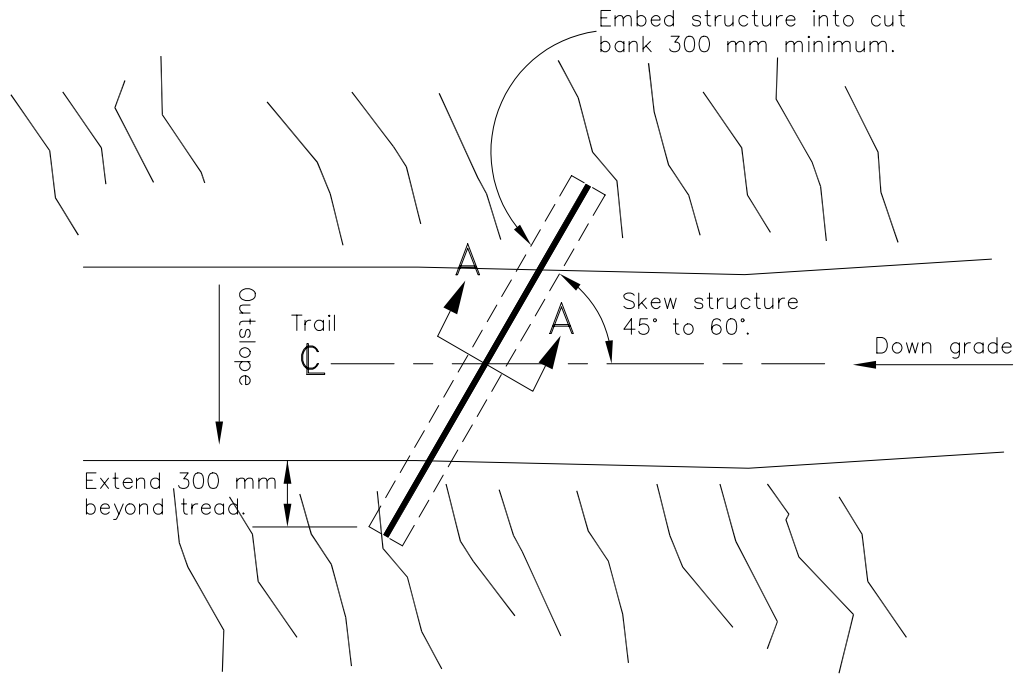


RUBBER BELTING WATERBAR

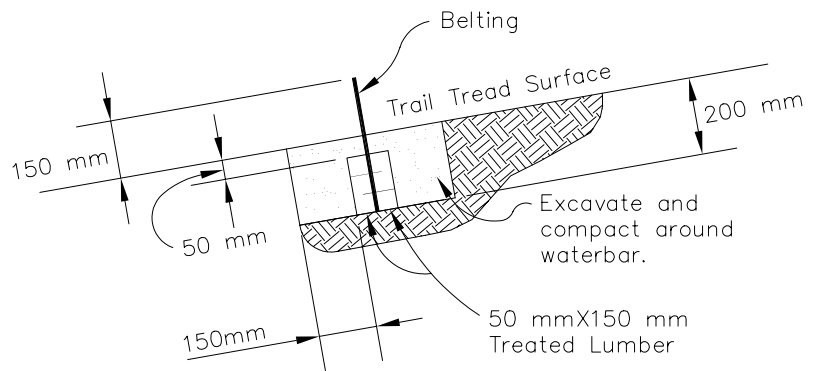
NOT TO SCALE



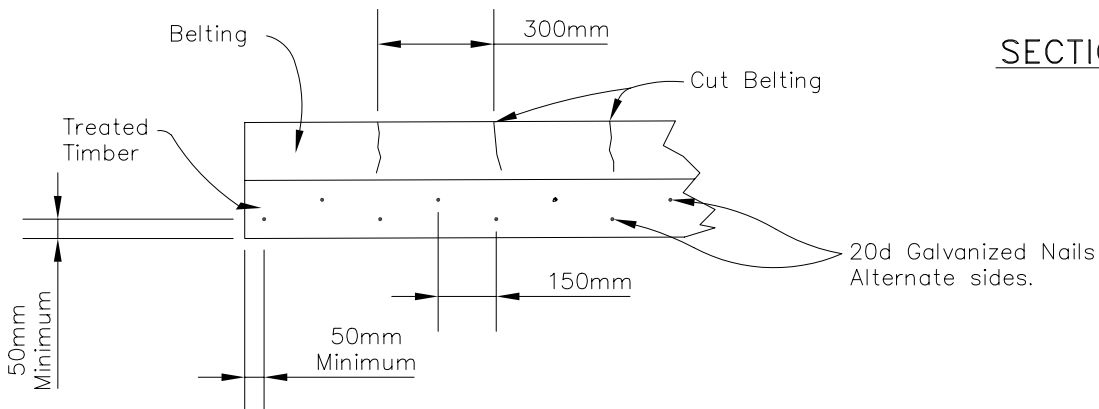
PLAN VIEW

Preservative Treatment:

Net Retention _____ kg/m³



SECTION A-A



NAILING AND CUTTING DETAIL