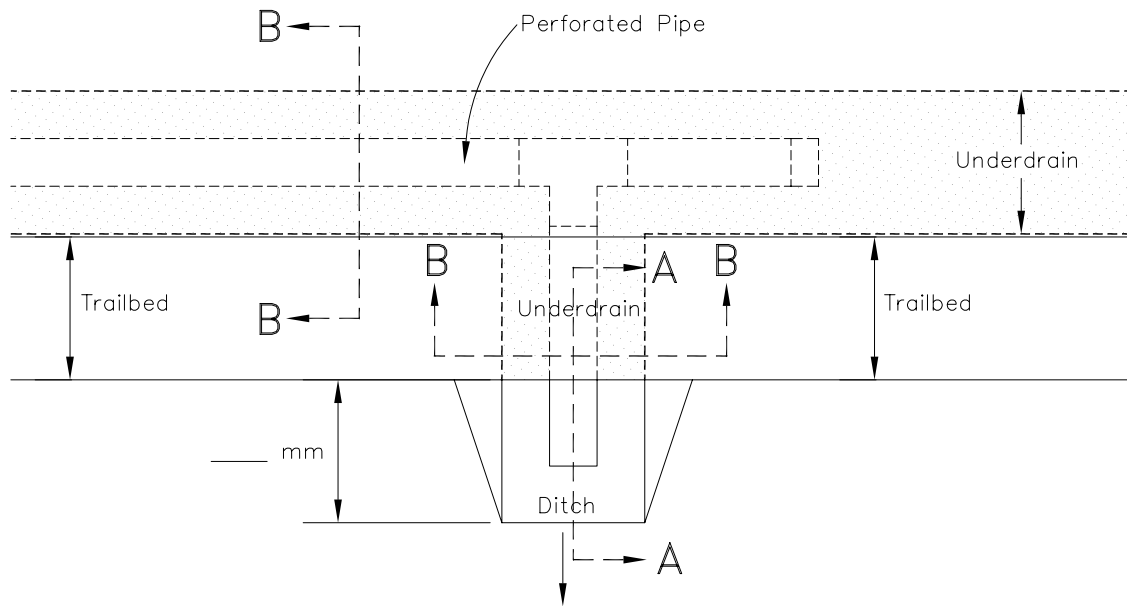
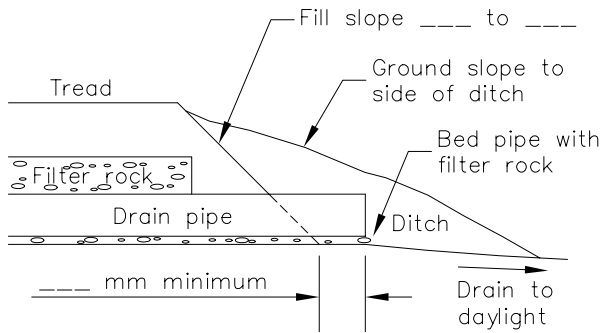


UNDERDRAIN

NOT TO SCALE

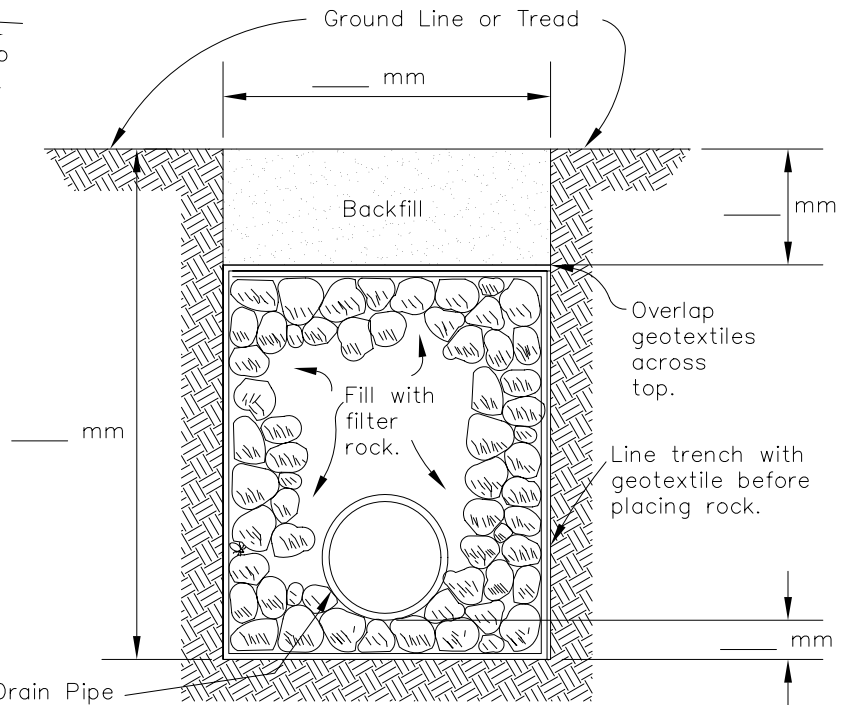


PLAN VIEW



SECTION A-A

Filter Rocks:
Use clean, durable rock
between 25 mm and 100
mm in diameter.



SECTION B-B