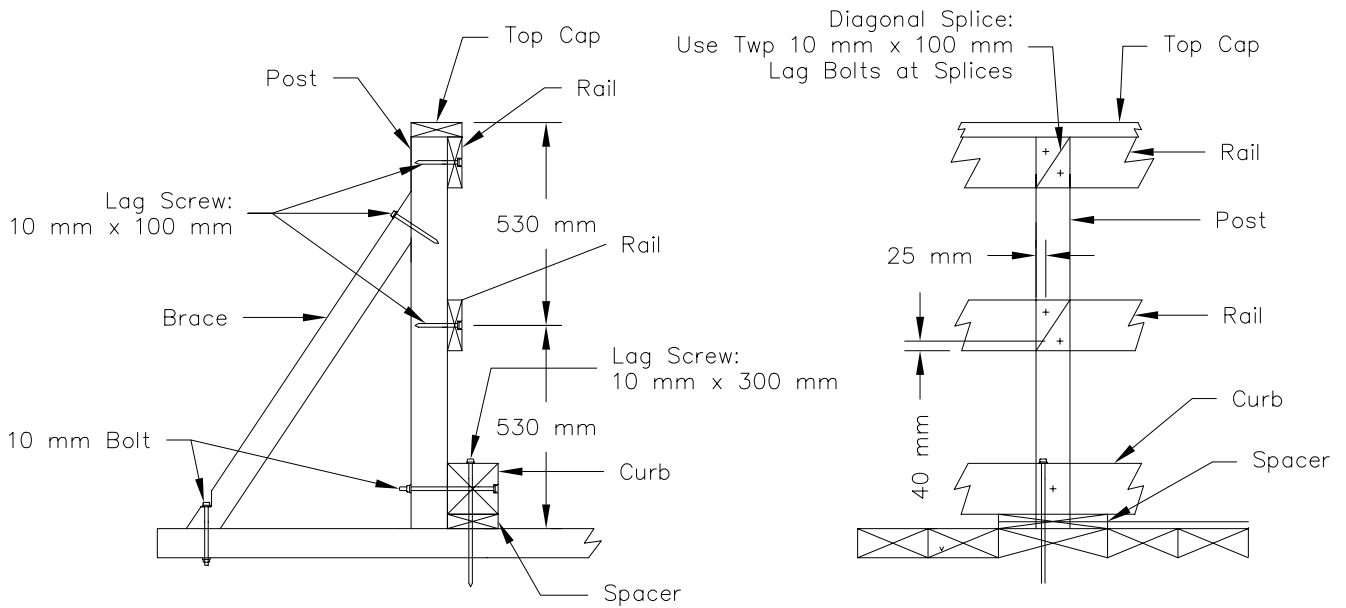


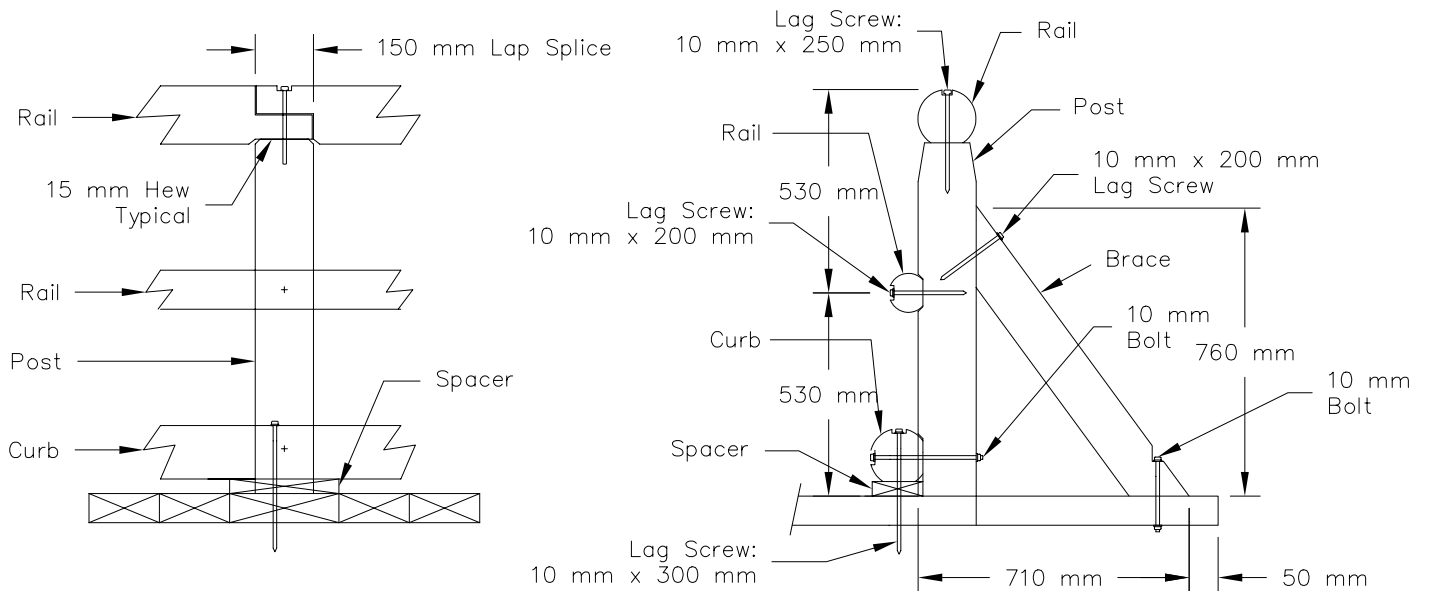
# OPTIONAL DECK AND HANDRAILS

NOT TO SCALE



## SAWN TIMBER RAIL ALTERNATIVE

NOTE:  
±25 mm Tolerance for Diameters  
of Rails, Posts, & Curbs.



## LOG RAIL ALTERNATIVE