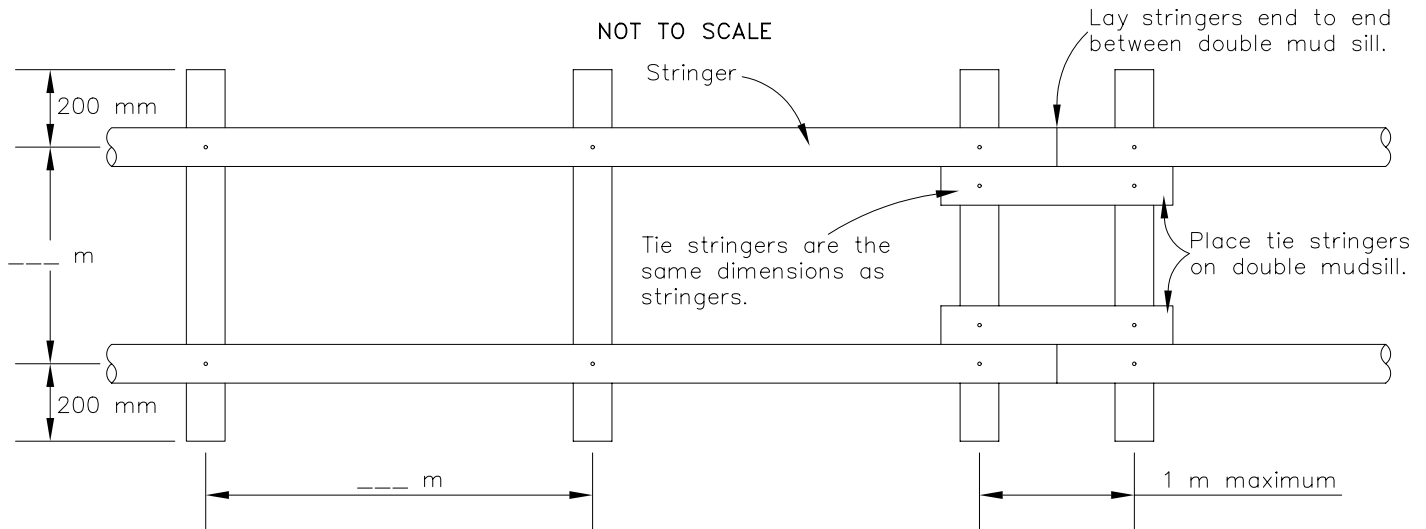
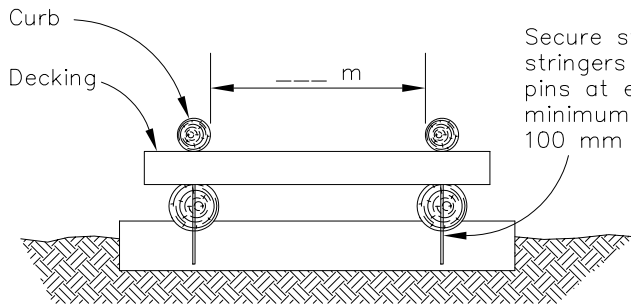


# PUNCHEON WITH DECKING

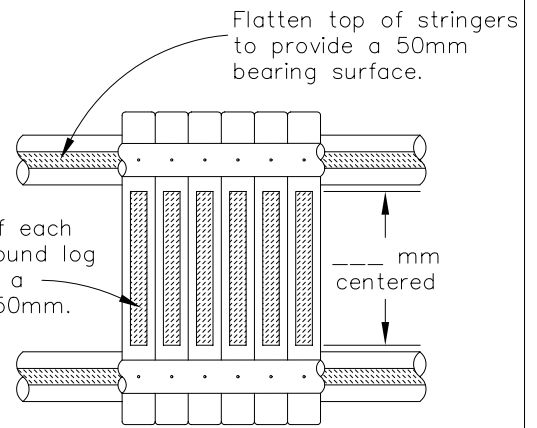
NOT TO SCALE



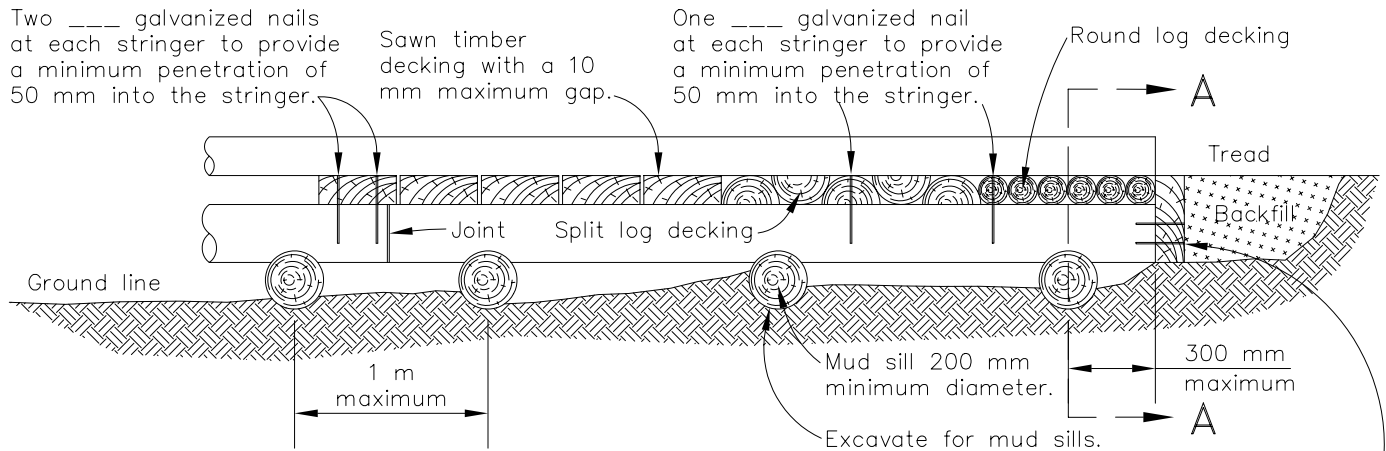
## MUD SILL AND STRINGER LAYOUT



### SECTION A-A



### PLAN VIEW



### SECTION VIEW

MEMBER	TYPE	SPECIES	SIZE (mm)	TREATMENT TYPE	MINIMUM RETENTION (kg/m <sup>3</sup> )
Stringer					
Deck					
Curb					
Bulkhead					

Bulkhead:  
Secure with a minimum of two galvanized spikes with a minimum penetration of 50 mm into the stringer.