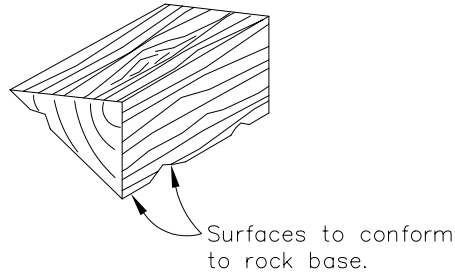
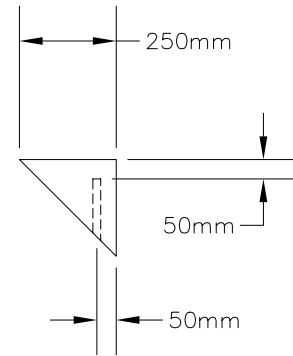


PINNED STAIRWAY

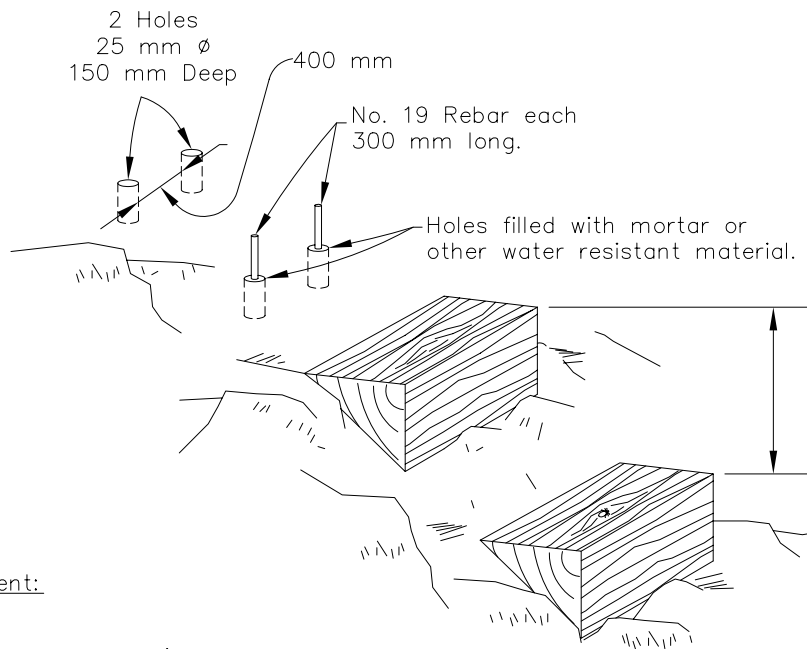
NOT TO SCALE



STEP



TYPICAL END VIEW OF TREADS



Preservative Treatment:

Net Retention _____ kg/m³

Shape treads and place over rebar to provide a firm, solid contact with the rock. Tilt tread front to back 2%.

Location	Step Rise	Step Run	Width	Species