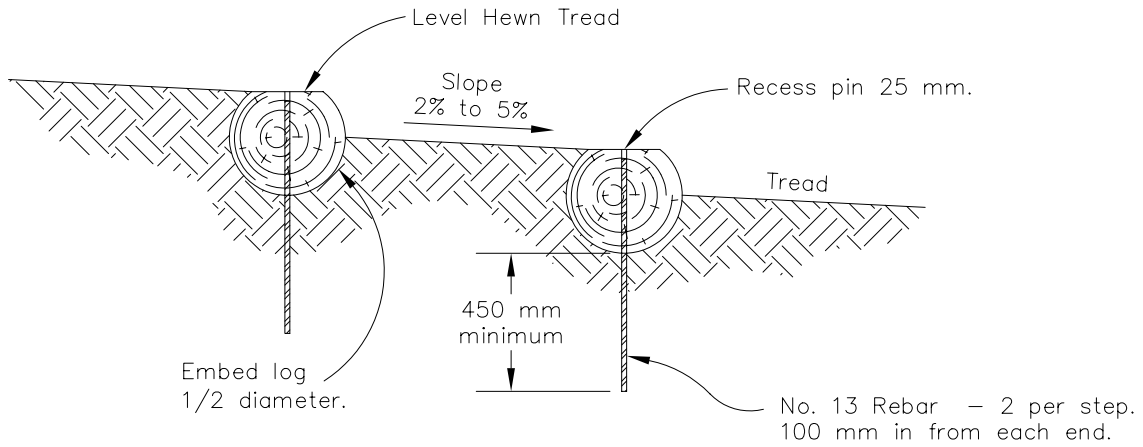
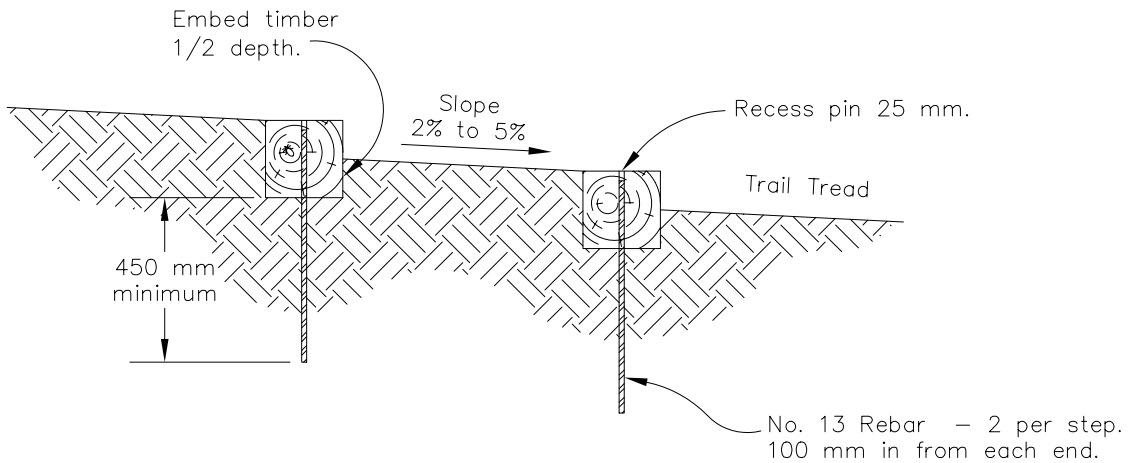


LOG AND TREATED TIMBER RISER STAIRWAY

NOT TO SCALE



LOG RISER STAIRWAY



TREATED TIMBER RISER STAIRWAY

Preservative Treatment:

Net Retention _____ kg/m³

Location	Step Rise	Step Run	Step Width	Riser Material Type	Riser Material Dimensions	Species