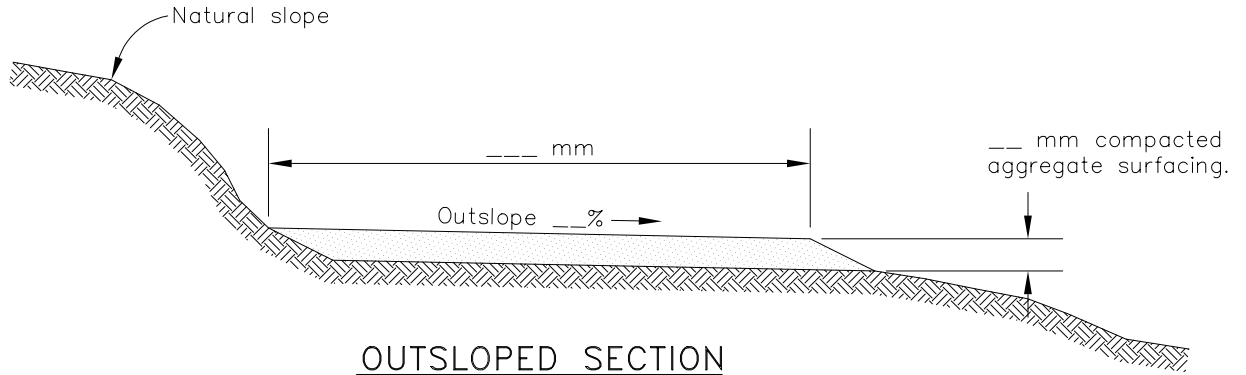
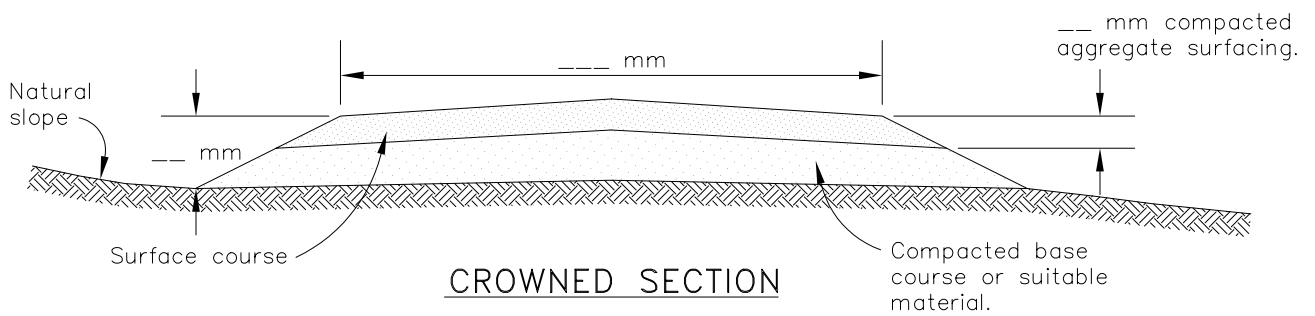


AGGREGATE SURFACING

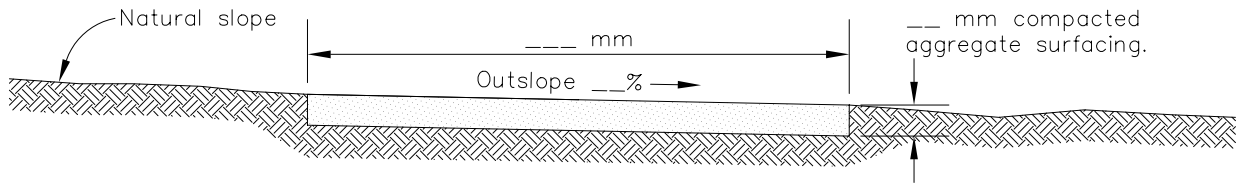
NOT TO SCALE



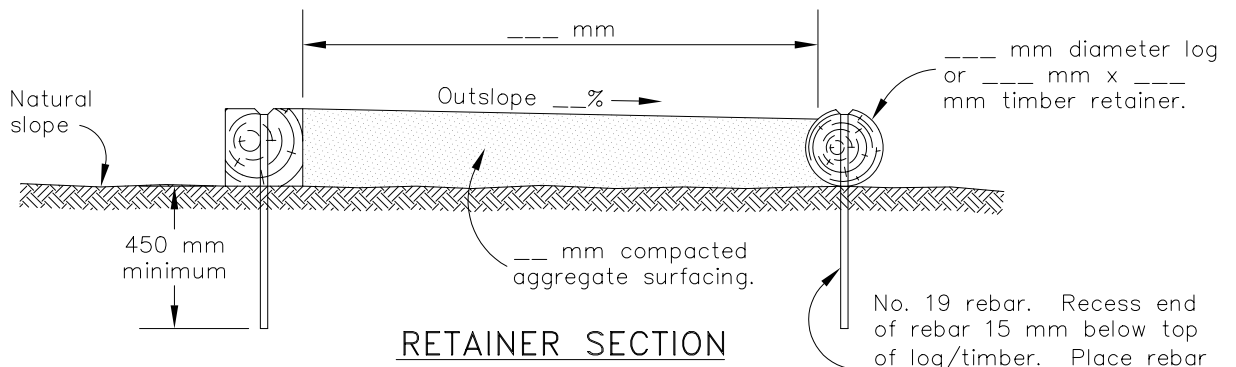
OUTSLOPED SECTION



CROWNED SECTION



EXCAVATED SECTION



RETAINER SECTION

| LOCATION | TREAD DEPTH (mm) | TREAD WIDTH (mm) | RETAINER MATERIAL | RETAINER SPECIES | SIZE (mm) | TYPE OF TREATMENT | MINIMUM RETENTION kg/m ³ |
|----------|------------------|------------------|-------------------|------------------|-----------|-------------------|-------------------------------------|
| | | | | | | | |
| | | | | | | | |
| | | | | | | | |