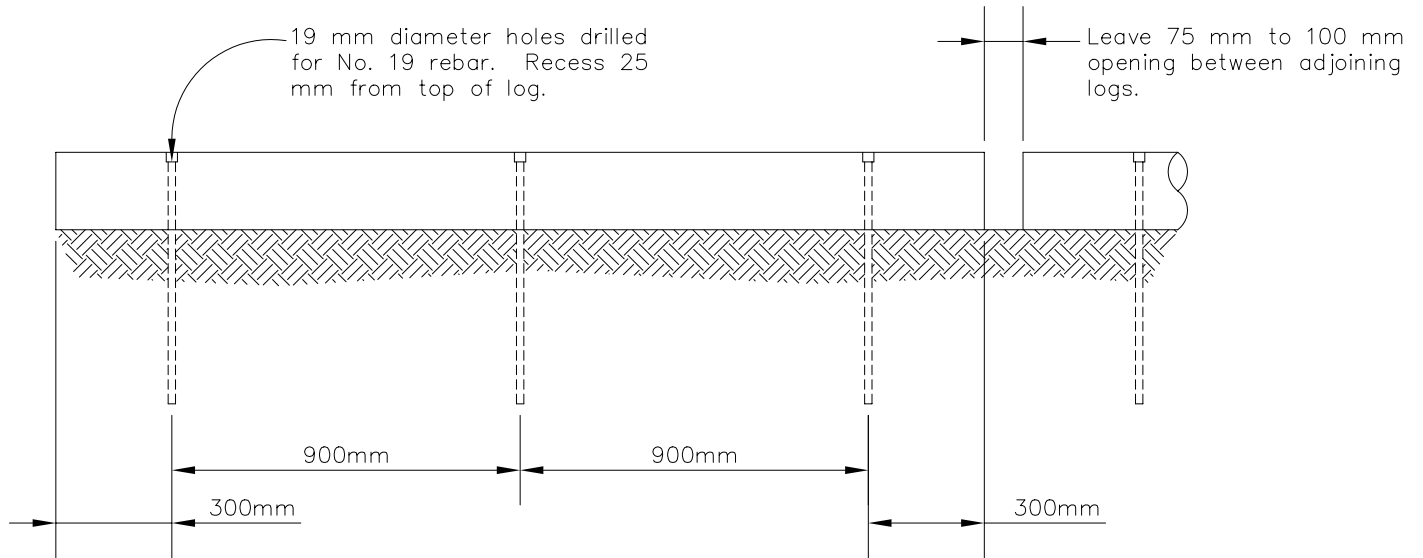
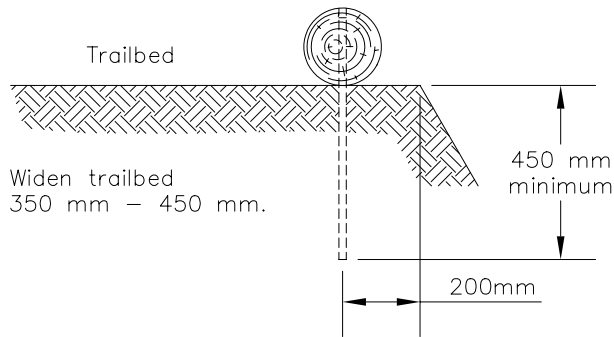


LOG BARRIER

NOT TO SCALE

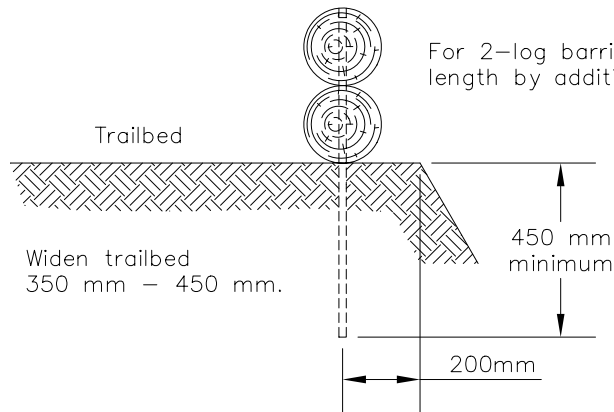


FRONT VIEW



END VIEW
ONE LOG

Note:
Peel bark from logs.



END VIEW
TWO LOG

LOCATION	MATERIAL	DIAMETER (mm)